

- 1
- 2
- 3
- 4
- 5
- 6
- 7
- 8
- 9
- 10
- 11
- 12
- 13
- 14
- 15
- 16
- 17
- 18

ESECUZIONI STANDARD

- **GN 990-AL-D**: alluminio, sezione tonda.
- **GN 990-NI-D**: acciaio INOX AISI 304, sezione tonda.
- **GN 990-AL-V**: alluminio, sezione quadra.
- **GN 990-NI-V**: acciaio INOX AISI 304, sezione quadra.

Suffissi per finitura superficiale:

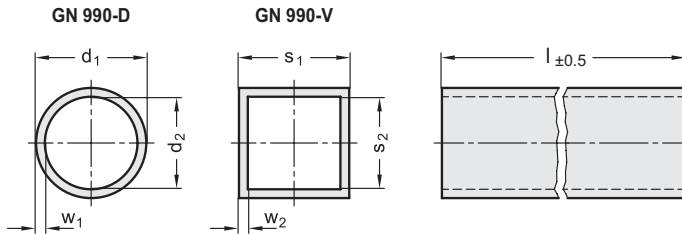
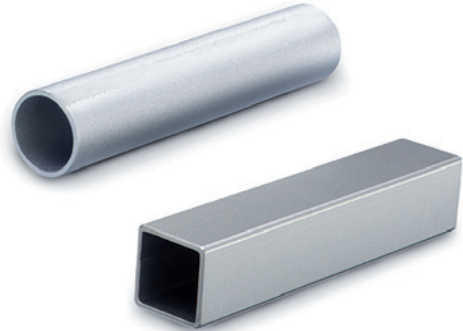
- **BL**: acciaio INOX AISI 304 finitura naturale.
- **EL**: alluminio anodizzato, colore naturale, finitura mat.

ESECUZIONI SPECIALI A RICHIESTA

Tubi di collegamento GN 990 di lunghezza diversa fino ad un massimo di 3000 mm.

ACCESSORI A RICHIESTA (DA ORDINARE SEPARATAMENTE)

- **NIL.990-D**: tappi di chiusura in polietilene (PE), colore nero RAL 9005 per GN 990-D.
- **NIL.990-V**: tappi di chiusura in polietilene (PE), colore nero RAL 9005 per GN 990-V.



GN 990-AL-D

Codice	Descrizione	d1	d2	l±0.5	w1	Δ	Codice	Descrizione	d1	d2	l±0.5	w1	Δ
GN.99001-200	GN 990-AL-D10-200-EL	10 +0.05/-0.15	7	200	1.5	16	GN.99008-200	GN 990-AL-D25-200-EL	25 +0.1/-0.2	21	200	2	44
GN.99001-500	GN 990-AL-D10-500-EL	10 +0.05/-0.15	7	500	1.5	60	GN.99008-500	GN 990-AL-D25-500-EL	25 +0.1/-0.2	21	500	2	193
GN.99001-1000	GN 990-AL-D10-1000-EL	10 +0.05/-0.15	7	1000	1.5	108	GN.99008-1000	GN 990-AL-D25-1000-EL	25 +0.1/-0.2	21	1000	2	389
GN.99002-200	GN 990-AL-D12-200-EL	12 +0.05/-0.15	9	200	1.5	27	GN.99008-2000	GN 990-AL-D25-2000-EL	25 +0.1/-0.2	21	2000	2	778
GN.99002-500	GN 990-AL-D12-500-EL	12 +0.05/-0.15	9	500	1.5	68	GN.99009-200	GN 990-AL-D30-200-EL	30 ±0.15	26	200	2	91
GN.99002-1000	GN 990-AL-D12-1000-EL	12 +0.05/-0.15	9	1000	1.5	136	GN.99009-500	GN 990-AL-D30-500-EL	30 ±0.15	26	500	2	240
GN.99003-200	GN 990-AL-D14-200-EL	14 +0.05/-0.15	11	200	1.5	32	GN.99009-1000	GN 990-AL-D30-1000-EL	30 ±0.15	26	1000	2	475
GN.99003-500	GN 990-AL-D14-500-EL	14 +0.05/-0.15	11	500	1.5	80	GN.99009-2000	GN 990-AL-D30-2000-EL	30 ±0.15	26	2000	2	1000
GN.99003-1000	GN 990-AL-D14-1000-EL	14 +0.05/-0.15	11	1000	1.5	160	GN.99011-200	GN 990-AL-D35-200-EL	35 ±0.15	31	200	2	112
GN.99004-200	GN 990-AL-D15-200-EL	15 +0.05/-0.15	12	200	1.5	35	GN.99011-500	GN 990-AL-D35-500-EL	35 ±0.15	31	500	2	281
GN.99004-500	GN 990-AL-D15-500-EL	15 +0.05/-0.15	12	500	1.5	80	GN.99011-1000	GN 990-AL-D35-1000-EL	35 ±0.15	31	1000	2	561
GN.99004-1000	GN 990-AL-D15-1000-EL	15 +0.05/-0.15	12	1000	1.5	150	GN.99012-200	GN 990-AL-D40-200-EL	40 ±0.15	34	200	3	150
GN.99005-200	GN 990-AL-D16-200-EL	16 +0.05/-0.15	13	200	1.5	37	GN.99012-500	GN 990-AL-D40-500-EL	40 ±0.15	34	500	3	472
GN.99005-500	GN 990-AL-D16-500-EL	16 +0.05/-0.15	13	500	1.5	92	GN.99012-1000	GN 990-AL-D40-1000-EL	40 ±0.15	34	1000	3	910
GN.99005-1000	GN 990-AL-D16-1000-EL	16 +0.05/-0.15	13	1000	1.5	192	GN.99012-2000	GN 990-AL-D40-2000-EL	40 ±0.15	34	2000	3	1886
GN.99006-200	GN 990-AL-D18-200-EL	18 +0.05/-0.15	15	200	1.5	42	GN.99015-500	GN 990-AL-D50-500-EL	50 ±0.2	44	500	3	599
GN.99006-500	GN 990-AL-D18-500-EL	18 +0.05/-0.15	15	500	1.5	104	GN.99015-1000	GN 990-AL-D50-1000-EL	50 ±0.2	44	1000	3	1197
GN.99006-1000	GN 990-AL-D18-1000-EL	18 +0.05/-0.15	15	1000	1.5	208	GN.99015-2000	GN 990-AL-D50-2000-EL	50 ±0.2	44	2000	3	2394
GN.99007-200	GN 990-AL-D20-200-EL	20 +0.1/-0.2	16	200	2	61	GN.99016-500	GN 990-AL-D60-500-EL	60 ±0.25	52	500	4	950
GN.99007-500	GN 990-AL-D20-500-EL	20 +0.1/-0.2	16	500	2	153	GN.99016-1000	GN 990-AL-D60-1000-EL	60 ±0.25	52	1000	4	1900
GN.99007-1000	GN 990-AL-D20-1000-EL	20 +0.1/-0.2	16	1000	2	305	GN.99016-2000	GN 990-AL-D60-2000-EL	60 ±0.25	52	2000	4	3800
GN.99007-2000	GN 990-AL-D20-2000-EL	20 +0.1/-0.2	16	2000	2	610							

GN 990-NI-D



Codice	Descrizione	d1	d2	l±0.5	w1	⚖
GN.99041-200	GN 990-NI-D10-200-BL	10 ±0.1	7	200	1.5	63
GN.99041-500	GN 990-NI-D10-500-BL	10 ±0.1	7	500	1.5	158
GN.99041-1000	GN 990-NI-D10-1000-BL	10 ±0.1	7	1000	1.5	426
GN.99042-200	GN 990-NI-D12-200-BL	12 -0.2	9	200	1.5	80
GN.99042-500	GN 990-NI-D12-500-BL	12 -0.2	9	500	1.5	200
GN.99042-1000	GN 990-NI-D12-1000-BL	12 -0.2	9	1000	1.5	399
GN.99043-200	GN 990-NI-D14-200-BL	14 -0.2	11	200	1.5	87
GN.99043-500	GN 990-NI-D14-500-BL	14 -0.2	11	500	1.5	220
GN.99043-1000	GN 990-NI-D14-1000-BL	14 -0.2	11	1000	1.5	467
GN.99044-200	GN 990-NI-D15-200-BL	15 -0.2	12	200	1.5	60
GN.99044-500	GN 990-NI-D15-500-BL	15 -0.2	12	500	1.5	259
GN.99044-1000	GN 990-NI-D15-1000-BL	15 -0.2	12	1000	1.5	518
GN.99045-200	GN 990-NI-D16-200-BL	16 -0.2	13	200	1.5	110
GN.99045-500	GN 990-NI-D16-500-BL	16 -0.2	13	500	1.5	270
GN.99045-1000	GN 990-NI-D16-1000-BL	16 -0.2	13	1000	1.5	539
GN.99046-200	GN 990-NI-D18-200-BL	18 -0.2	15	200	1.5	120
GN.99046-500	GN 990-NI-D18-500-BL	18 -0.2	15	500	1.5	305
GN.99046-1000	GN 990-NI-D18-1000-BL	18 -0.2	15	1000	1.5	650
GN.99047-200	GN 990-NI-D20-200-BL	20 -0.2	16	200	2	160
GN.99047-500	GN 990-NI-D20-500-BL	20 -0.2	16	500	2	420
GN.99047-1000	GN 990-NI-D20-1000-BL	20 -0.2	16	1000	2	750
GN.99047-2000	GN 990-NI-D20-2000-BL	20 -0.2	16	2000	2	1700

GN 990-AL-V

Codice	Descrizione	s1	s2	l±0.5	w2	⚖
GN.99021-200	GN 990-AL-V10-200-EL	10	7	200	1.5	18
GN.99021-500	GN 990-AL-V10-500-EL	10	7	500	1.5	69
GN.99021-1000	GN 990-AL-V10-1000-EL	10	7	1000	1.5	97
GN.99022-200	GN 990-AL-V12-200-EL	12	9	200	1.5	24
GN.99022-500	GN 990-AL-V12-500-EL	12	9	500	1.5	60
GN.99022-1000	GN 990-AL-V12-1000-EL	12	9	1000	1.5	119
GN.99023-200	GN 990-AL-V16-200-EL	16	13	200	1.5	32
GN.99023-500	GN 990-AL-V16-500-EL	16	13	500	1.5	80
GN.99023-1000	GN 990-AL-V16-1000-EL	16	13	1000	1.5	160
GN.99024-200	GN 990-AL-V20-200-EL	20	16	200	2	78
GN.99024-500	GN 990-AL-V20-500-EL	20	16	500	2	194
GN.99024-1000	GN 990-AL-V20-1000-EL	20	16	1000	2	400
GN.99024-2000	GN 990-AL-V20-2000-EL	20	16	2000	2	800

GN 990-NI-V



Codice	Descrizione	s1	s2	l±0.5	w2	⚖
GN.99061-200	GN 990-NI-V20-200-BL	20	16	200	2	160
GN.99061-500	GN 990-NI-V20-500-BL	20	16	500	2	564
GN.99061-1000	GN 990-NI-V20-1000-BL	20	16	1000	2	1127
GN.99061-2000	GN 990-NI-V20-2000-BL	20	16	2000	2	2254
GN.99062-200	GN 990-NI-V25-200-BL	25	21	200	2	230
GN.99062-500	GN 990-NI-V25-500-BL	25	21	500	2	500
GN.99062-1000	GN 990-NI-V25-1000-BL	25	21	1000	2	1449
GN.99062-2000	GN 990-NI-V25-2000-BL	25	21	2000	2	2898

GN 990-NI-D



Codice	Descrizione	d1	d2	l±0.5	w1	⚖
GN.99048-200	GN 990-NI-D25-200-BL	25 ±0.15	21	200	2	162
GN.99048-500	GN 990-NI-D25-500-BL	25 ±0.15	21	500	2	569
GN.99048-1000	GN 990-NI-D25-1000-BL	25 ±0.15	21	1000	2	1137
GN.99048-2000	GN 990-NI-D25-2000-BL	25 ±0.15	21	2000	2	2100
GN.99049-200	GN 990-NI-D30-200-BL	30 ±0.15	26	200	2	200
GN.99049-500	GN 990-NI-D30-500-BL	30 ±0.15	26	500	2	620
GN.99049-1000	GN 990-NI-D30-1000-BL	30 ±0.15	26	1000	2	1280
GN.99049-2000	GN 990-NI-D30-2000-BL	30 ±0.15	26	2000	2	2778
GN.99051-200	GN 990-NI-D35-200-BL	35 ±0.15	31	200	2	328
GN.99051-500	GN 990-NI-D35-500-BL	35 ±0.15	31	500	2	900
GN.99051-1000	GN 990-NI-D35-1000-BL	35 ±0.15	31	1000	2	1500
GN.99052-200	GN 990-NI-D40-200-BL	40 ±0.15	34	200	3	340
GN.99052-500	GN 990-NI-D40-500-BL	40 ±0.15	34	500	3	1179
GN.99052-1000	GN 990-NI-D40-1000-BL	40 ±0.15	34	1000	3	2470
GN.99052-2000	GN 990-NI-D40-2000-BL	40 ±0.15	34	2000	3	5514
GN.99053-500	GN 990-NI-D50-500-BL	50 ±0.2	44	500	3	1751
GN.99053-1000	GN 990-NI-D50-1000-BL	50 ±0.2	44	1000	3	3400
GN.99053-2000	GN 990-NI-D50-2000-BL	50 ±0.2	44	2000	3	7100
GN.99054-500	GN 990-NI-D60-500-BL	60 ±0.25	52	500	4	2500
GN.99054-1000	GN 990-NI-D60-1000-BL	60 ±0.25	52	1000	4	4800
GN.99054-2000	GN 990-NI-D60-2000-BL	60 ±0.25	52	2000	4	9000

GN 990-AL-V

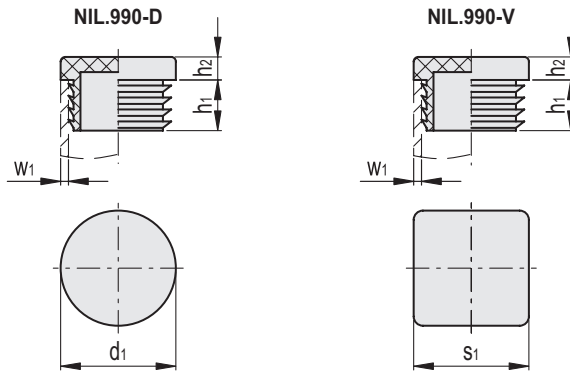
Codice	Descrizione	s1	s2	l±0.5	w2	⚖
GN.99025-200	GN 990-AL-V25-200-EL	25	21	200	2	99
GN.99025-500	GN 990-AL-V25-500-EL	25	21	500	2	249
GN.99025-1000	GN 990-AL-V25-1000-EL	25	21	1000	2	497
GN.99025-2000	GN 990-AL-V25-2000-EL	25	21	2000	2	1100
GN.99026-200	GN 990-AL-V30-200-EL	30	26	200	2	121
GN.99026-500	GN 990-AL-V30-500-EL	30	26	500	2	303
GN.99026-1000	GN 990-AL-V30-1000-EL	30	26	1000	2	605
GN.99026-2000	GN 990-AL-V30-2000-EL	30	26	2000	2	1210
GN.99028-500	GN 990-AL-V40-500-EL	40	34	500	3	600
GN.99028-1000	GN 990-AL-V40-1000-EL	40	34	1000	3	1200
GN.99028-2000	GN 990-AL-V40-2000-EL	40	34	2000	3	2398
GN.99030-500	GN 990-AL-V50-500-EL	50	44	500	3	762
GN.99030-1000	GN 990-AL-V50-1000-EL	50	44	1000	3	1523
GN.99030-2000	GN 990-AL-V50-2000-EL	50	44	2000	3	3100

GN 990-NI-V



Codice	Descrizione	s1	s2	l±0.5	w2	⚖
GN.99063-200	GN 990-NI-V30-200-BL	30	26	200	2	352
GN.99063-500	GN 990-NI-V30-500-BL	30	26	500	2	750
GN.99063-1000	GN 990-NI-V30-1000-BL	30	26	1000	2	1761
GN.99063-2000	GN 990-NI-V30-2000-BL	30	26	2000	2	3500
GN.99064-500	GN 990-NI-V40-500-BL	40	34	500	3	1800
GN.99064-1000	GN 990-NI-V40-1000-BL	40	34	1000	3	3351
GN.99064-2000	GN 990-NI-V40-2000-BL	40	34	2000	3	6700
GN.99065-500	GN 990-NI-V50-500-BL	50	44	500	3	1700
GN.99065-1000	GN 990-NI-V50-1000-BL	50	44	1000	3	4307
GN.99065-2000	GN 990-NI-V50-2000-BL	50	44	2000	3	8614





NIL.990-D

Codice	Descrizione	d1	h1	h2	w1	Per tubo	△△
435761	NIL.990-D10	10	11	3.5	1+2	GN 990-D10	1
435762	NIL.990-D12	12	11	3.5	1+2	GN 990-D12	1
435763	NIL.990-D14	14	11.5	5	1+2	GN 990-D14	1
435764	NIL.990-D15	15	11.5	3	1+2	GN 990-D15	1
435765	NIL.990-D16	16	11	5	1+2	GN 990-D16	1
435766	NIL.990-D18	18	11.5	5	1+2	GN 990-D18	2
435767	NIL.990-D20	20	11.5	5	1+2.5	GN 990-D20	2
435768	NIL.990-D25	25	11.5	5	1+3	GN 990-D25	3
435769	NIL.990-D30	30	11.5	5	1+2.5	GN 990-D30	4
435770	NIL.990-D32	32	12	5	1+3	GN 990-D32	4
435771	NIL.990-D35	35	11.5	5	1+3	GN 990-D35	5
435772	NIL.990-D40	40	11.5	5	1+3	GN 990-D40	5
435773	NIL.990-D42	42	11.5	5	1+3	GN 990-D42	7
435774	NIL.990-D45	45	11	5	1+3	GN 990-D45	9
435775	NIL.990-D48	48	11.5	5	1.2+3.6	GN 990-D48	9
435776	NIL.990-D50	50	14.5	5	1+2.5	GN 990-D50	12
435777	NIL.990-D55	55	11.5	5	1+3	GN 990-D55	11
435778	NIL.990-D60	60	14.5	5	1.5+3	GN 990-D60	14

NIL.990-V

Codice	Descrizione	s1	h1	h2	w1	Per tubo	△△
435779	NIL.990-V10	10x10	12	4	0.8+2.5	GN 990-V10	1
435780	NIL.990-V12	12x12	12	4	1+2	GN 990-V12	1
435781	NIL.990-V16	16x16	11.5	5	1+2.5	GN 990-V16	2
435782	NIL.990-V20	20x20	11.5	5	1+3	GN 990-V20	2
435783	NIL.990-V25	25x25	11.5	5	1+3	GN 990-V25	3
435784	NIL.990-V30	30x30	11.5	5	1+3	GN 990-V30	5
435785	NIL.990-V35	35x35	11.5	5	1+3	GN 990-V35	7
435786	NIL.990-V40	40x40	14.5	5	1+3	GN 990-V40	9
435787	NIL.990-V45	45x45	14.5	5	1+3	GN 990-V45	10
435788	NIL.990-V50	50x50	14.5	5	1+2.5	GN 990-V50	14